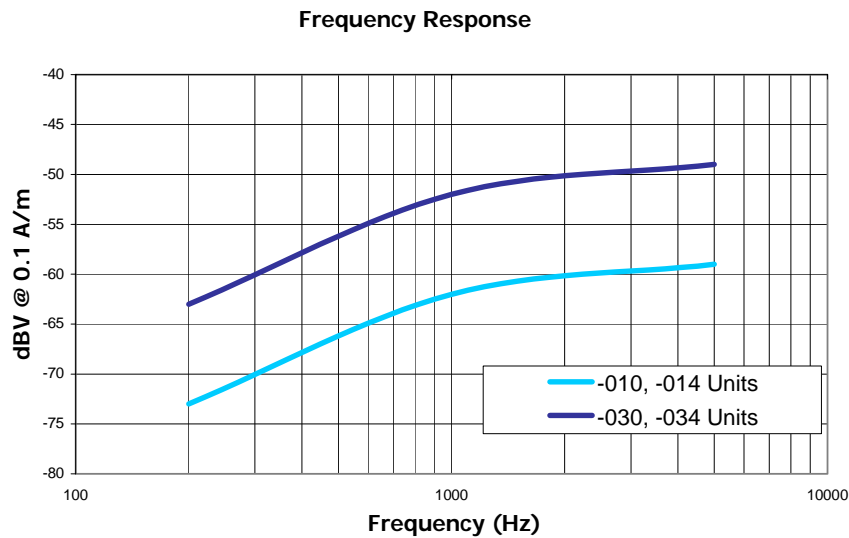


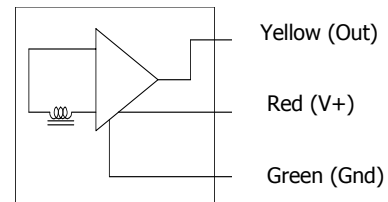
## PC3 Series Amplified Audiocoils (telecoils) with EMI PROTECTION

Global Coils PC3 Series is the world's smallest amplified coil. PC3 Series Audiocoils feature a magnetic-field sensing coil with an integral low-power EMI-attenuating preamplifier. This design permits unit Sensitivity of 20-25 dB greater than passive coils of similar size. Tests have shown this circuit provides protective attenuation of cellular/EMI interference between 18 and 30 dB when compared to unprotected PA3 Series Amplified Coils.



### ABSOLUTE MAXIMUM RATINGS

	Min	Max
Supply Voltage (V DC)	0.9	5.0
Operating Temp. (°C)	-10	50
Storage Temp. (°C)	-20	70



### SENSITIVITY AND IMPEDANCE

Model #	Color Dot	1 kHz Open Circuit Sensitivity (@ 1 A/m)	Output Impedance (Ohms)
PC3-51-010	Red	-62 dB	300
PC3-51-014	Green	-62 dB	4000
PC3-51-030	White	-52 dB	300
PC3-51-034	Yellow	-52 dB	4000

# PC3 Amplified Coils

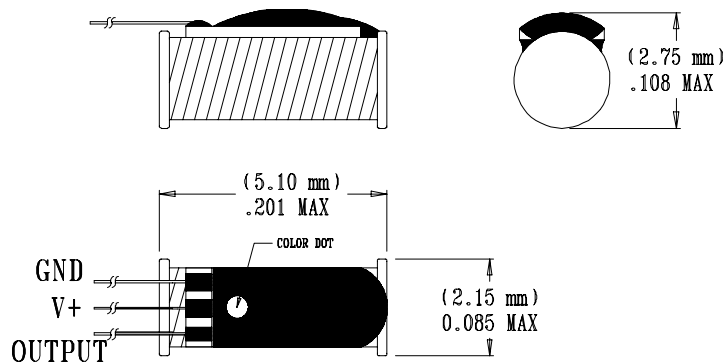
Technical Data Sheet (cont.)

## ELECTRICAL CHARACTERISTICS

Parameter	Model – Device	Min.	Typ.	Max.	Units
<b>Supply Current</b>	<b>All Models</b>	-	65	100	microAmps
<b>Magnetic Sensitivity</b> (Open Circuit, No Load)	<b>For -010, -014 Units</b>				dBV
	@200 Hz	-77	-73	-69	(re: 1 v
	@1 kHz	-65	-62	-60	@0.1 A/m)
	@5 kHz	-62	-59	-57	
	<b>For -030, -034 Units</b>				dBV
	@200 Hz	-67	-63	-59	(re: 1 v
@1 kHz	-55	-52	-50	@0.1 A/m)	
@5 kHz	-52	-49	-47		
<b>Output Voltage DC</b>	<b>All Models</b>	325	570	800	mV DC
<b>Output Impedance</b> ( $R_0$ @ $f = 1$ kHz)	-010, -030 Units -014, -034 Units	- 3600	- 4000	600 4800	Ohms
<b>Output Voltage Swing (Peak)</b>	<b>All Models</b>	$\pm 40$	-	-	mV
<b>Output Current Drive (Peak)</b>	-010, -030 Units -014, -034 Units	$\pm 15$ $\pm 9$	$\pm 30$ $\pm 30$	- -	microAmps

Standard Operating Conditions:  $V_+ = 1.30$  VDC;  $H = 0.1$  A/m;  $25^\circ$  C.

## MECHANICAL DIMENSIONS



## SPECIAL OPTIONS

Leads - standard leads are 2.0" (50mm) nom. length 36 AWG copper leads, solderable insulation and tinned. Other leads available as options.

Coatings – the PC3 model is available with an optional rugged epoxy coating. Please contact a Global Coils Sales Office for details.



To provide the best products, Global Coils reserves the right to change materials, processes and specifications, without notice.