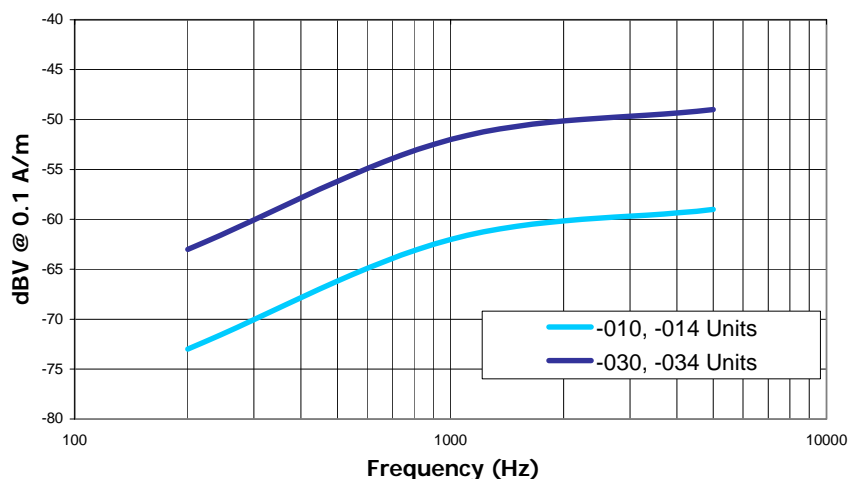


PA3 Series Amplified Audiocoils (telecoils)

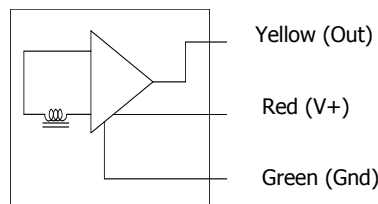
Global Coils PA3 Series was the original model of amplified audiocoil. It features a magnetic-field sensing coil with an integral low-power preamplifier. This design permits unit Sensitivity of 20-25 dB greater than passive coils of similar size. In typical hearing-aid use, the PA3's output is comparable to those of common electret Microphones. In most applications, this allows switching between microphone and audiocoil signals with minimal change in acoustic output, and without need for a separate preamplifier.

Frequency Response



ABSOLUTE MAXIMUM RATINGS

	Min	Max
Supply Voltage (V DC)	0.9	5.0
Operating Temp. (°C)	-10	50
Storage Temp. (°C)	-20	70



SENSITIVITY AND IMPEDANCE

Model #	Color Dot	1 kHz Open Circuit Sensitivity (@ 1 A/m)	Output Impedance (Ohms)
PA3-51-010	Red	-62 dB	300
PA3-51-014	Green	-62 dB	4000
PA3-51-030	White	-52 dB	300
PA3-51-034	Yellow	-52 dB	4000

PA3 Amplified Coils

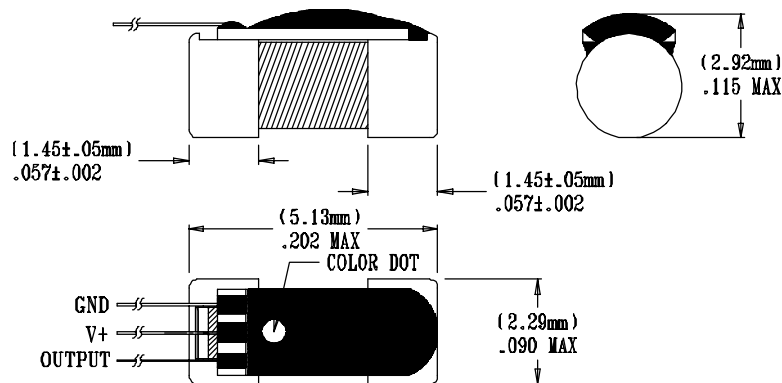
Technical Data Sheet (cont.)

ELECTRICAL CHARACTERISTICS

Parameter	Model – Device	Min.	Typ.	Max.	Units
Supply Current	All Models	-	65	100	microAmps
Magnetic Sensitivity (Open Circuit, No Load)	For -010, -014 Units				dBV (re: 1 v @0.1 A/m)
	@200 Hz	-77	-73	-69	
	@1 kHz	-65	-62	-60	
	@5 kHz	-62	-59	-57	
	For -030, -034 Units				dBV (re: 1 v @0.1 A/m)
	@200 Hz	-67	-63	-59	
@1 kHz	-55	-52	-50		
@5 kHz	-52	-49	-47		
Output Voltage DC	All Models	325	570	800	mV DC
Output Impedance (R_0 @ $f = 1$ kHz)	-010, -030 Units -014, -034 Units	- 3600	- 4000	600 4800	Ohms
Output Voltage Swing (Peak)	All Models	± 40	-	-	mV
Output Current Drive (Peak)	-010, -030 Units -014, -034 Units	± 15 ± 9	± 30 ± 30	- -	microAmps

Standard Operating Conditions: $V_+ = 1.30$ VDC; $H = 0.1$ A/m; 25° C.

MECHANICAL DIMENSTIONS



SPECIAL OPTIONS

Leads - standard leads are 2.0" (50mm) nom. length 36 AWG copper leads, solderable insulation and tinned. Other leads available as options.

EMI Protection – For identical electrical characteristics consider using Global Coils PC3 Series Amplified Audiocoils.

To provide the best products, Global Coils reserves the right to change materials, processes and specifications, without notice.